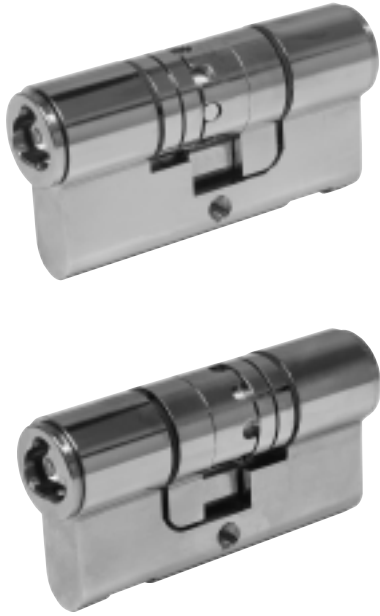


Profile Double Cylinder 30mm/30mm

Part number: CL-PD3030

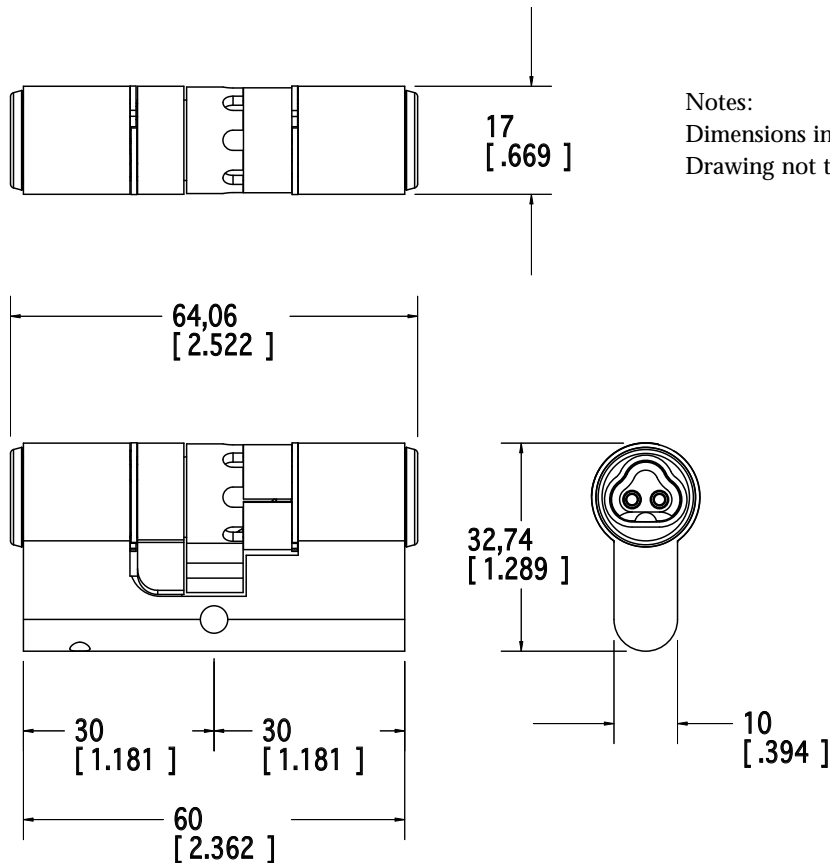


The CyberLock European Profile Double Cylinder is one of several CyberLock cylinders available for European profile locks. It is a direct replacement for a standard double keyway European profile cylinder. It has two keyways and is 30mm center to front and 30mm center to back.

Both the lock body and the locking cam are made of nickel-plated brass. The electronics are encased in a nickel-plated steel shell. The outer side of the cylinder contains two hardened steel pins as an anti-drilling feature.

The cam latch can be set to one of eight different positions during the initial install to accommodate different lock hardware.

This double profile cylinder is equipped with two separate CyberLocks. Each CyberLock has its own unique ID. Each cylinder must be programmed and managed identically in CyberAudit to prevent a circumstance where a person can gain access to a location but cannot exit.



Profile Double Cylinder 30mm/30mm

Part number: CL-PD3030

Specifications

Finish	<ul style="list-style-type: none"> • Nickel plating
Operating Temperature	<ul style="list-style-type: none"> • -40° to 160° F; -40° to 70° C, non-condensing
Power Requirements	<ul style="list-style-type: none"> • None; power is supplied by the key's battery.
Hardware Security Features	<ul style="list-style-type: none"> • No keyway to pick. • If torque is applied to the front of the cylinder, it separates from the back half leaving the cylinder in the locked position. • Resists electric charge applied to the face of the lock. • Drill-resistant pins.
Hardware Options	<ul style="list-style-type: none"> • Tamper pin which blocks the locking pin automatically when impact force is applied to the front of the lock. • Hardened metal.
Number of Keys per Lock	<ul style="list-style-type: none"> • No limit to the number of keys that the lock can support.
Number of Locks per Key	<ul style="list-style-type: none"> • Up to 3300 locks can be accessed with a standard user key. • A Master key has no limit to the number of locks it can access. • A database has no limit to the number of locks or keys it can manage.
Lost Keys	<ul style="list-style-type: none"> • The system can designate and disable lost keys.
Access Schedules	<ul style="list-style-type: none"> • Schedules programmed into the CyberKey provide complete control over specific days and times that a key will operate. A key can use up to 49 different schedules to access locks. • A database has no limit to the number of schedules it can manage. • Holidays may be set as exceptions to the schedules.
Audit Capacities	<ul style="list-style-type: none"> • The lock remembers the last 1100 events with date and time. • A key remembers up to 3900 events with date and time. It can be set to keep only the most recent set of events or to stop operating when its audit trail is full.
Electronic Security Features	<ul style="list-style-type: none"> • Key Expiration – a begin/end date range can be set during which the key will work. • Delayed entry – a lock can be set to delay entry for up to 20 minutes. • Multiple key custody – a lock may be set to require more than 1 key (up to 4) before opening.
Electronic Rekeying	<ul style="list-style-type: none"> • Rekeying a system is done via the software; no need to install new locks and issue new keys.